

Fixing manual for PTJ012D、E、F、G、H、I KPTJ012D、KPTJ012E

Choose the switable cabinet according to the products(as the table)

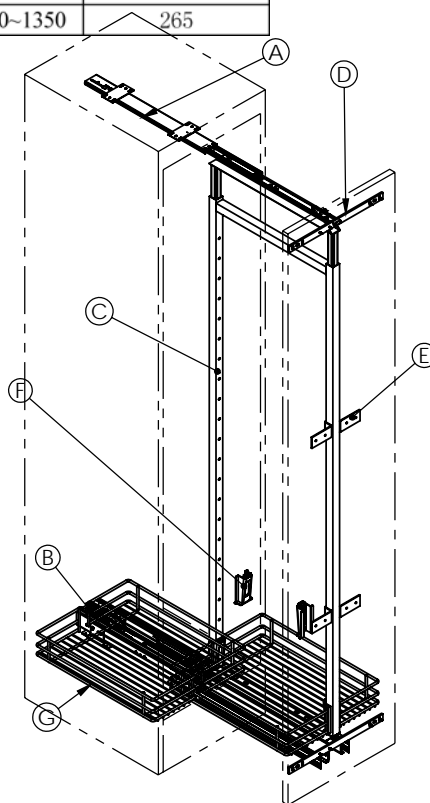
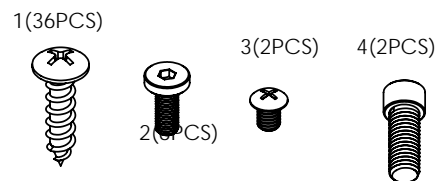
Table of item and cabinet				
Item No	"D"the depth of inside cabinet	"W"the width of inside cabinet	"H"the height of inside cabinet	"B"the minimum inside the cabinet
KPTJ012D	480	400	1850~2200	365
KPTJ012D-300	480	300	1850~2200	265
KPTJ012D-450	480	450	1850~2200	415
KPTJ012D-500	480	500	1850~2200	465
PTJ012D	480	400	1700~2000	365
PTJ012F	480	400	1400~1700	365
PTJ012F-300	480	300	1400~1700	265
PTJ012F-500	480	500	1400~1700	465
PTJ012H	480	400	1150~1350	365
PTJ012H-500	480	500	1150~1350	465
PTJ012H-550	480	550	1150~1350	515
KPTJ012E	450	300	1850~2200	265
PTJ012E	450	300	1700~2000	265
PTJ012G	450	300	1400~1700	265
PTJ012I	450	300	1150~1350	265

Listing of parts:

- A、top runner
- B、bottom runner
- C、main frame
- D、T-bar
- E、saddle-backed stabilizer
- F、pothook
- G、wire basket

Assembly listing of screw:

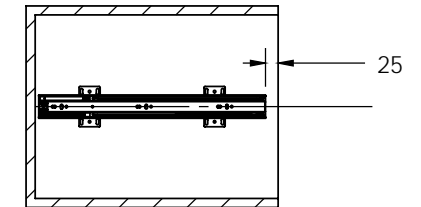
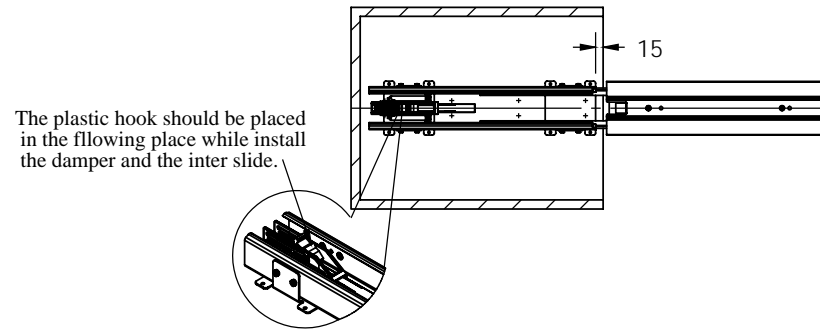
- 1、ST4*14 pan head wood screw 36PCS:
12PCS use for fixing top runner on the top board of the cabinet.
8PCS use for fixing bottom runner on the bottom board of cabinet.
8PCS use for fixing T-bar to the door board.
8PCS use the saddle-backed stabilizer.
- 2、6PCS M6*15 use for connecting and adjusting discreteness of door board
- 3、2PCS M8*20 use for adjusting on the door
- 4、2PCS M6*10 use for adjusting the main frame.



Fixing step

1、Fix the bottom runner by using ST4*14 pan head wood screw 8PCS to fix up.

2、Fixing the top runner by using ST4*14 pan head wood screw 12pcs to fix up



3、Fix the frame(c) to the bottom runner(B)

4、Fixing the frame(c) adjust the frame to the suitable height and fix it up by 2pcs M6*10

